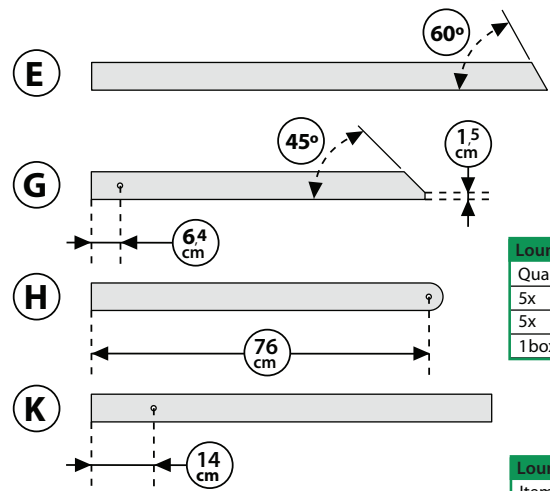
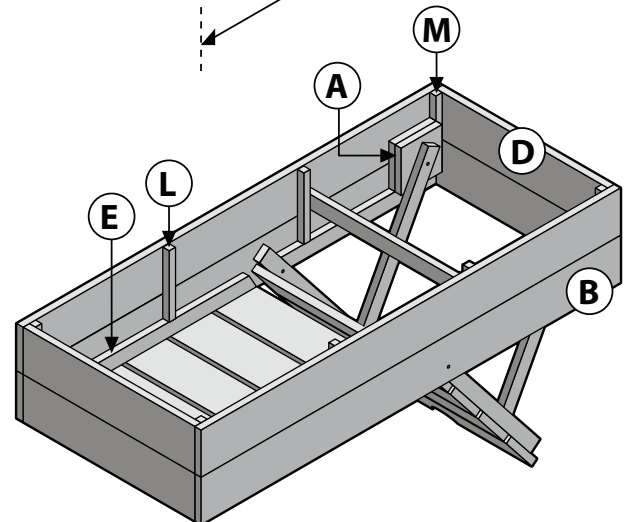
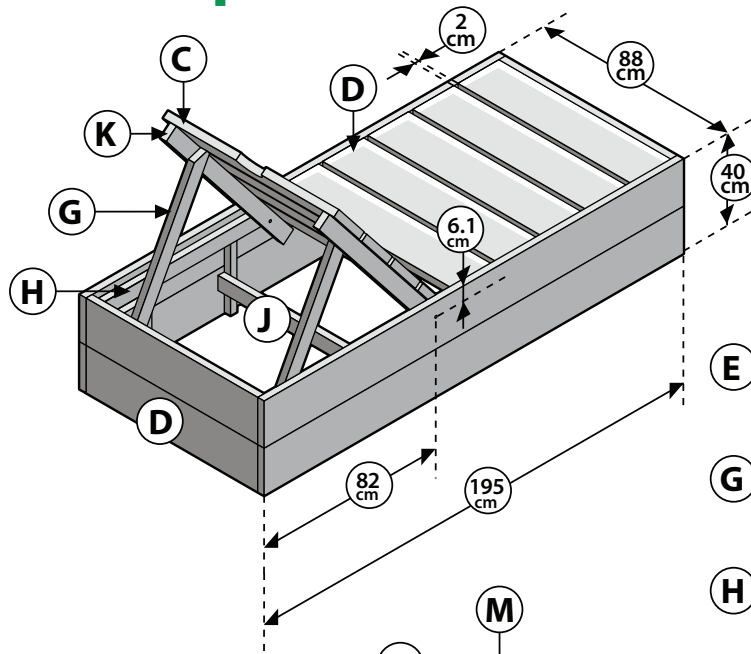


DIY LOUNGER

CREATE YOUR OWN WOODEN LOUNGE BED, WHAT A LUXURY!



Example



Lounge Shoppinglist		
Quantity	Material	Length
5x	Pressure Treated Wood	1 1/4 x 8" x 16'
5x	Connecting piece wide	1 x 3" x 8'
1box	Self drilling screw	5 x 50 mm à 200st

Lounge Parts List			
Item	Quantity	Material	Length
A	4x	Pressure Treated Wood	1 1/4 x 8" 195 mm
B	4x	Pressure Treated Wood	1 1/4 x 8" 1950 mm
C	4x	Pressure Treated Wood	1 1/4 x 8" 820 mm
D	9x	Pressure Treated Wood	1 1/4 x 8" 820 mm
E	2x	Connecting piece wide	1 x 3" 1025 mm
G	2x	Connecting piece wide	1 x 3" 720 mm
H	2x	Connecting piece wide	1 x 3" 791 mm
J	1x	Connecting piece wide	1 x 3" 820 mm
K	2x	Connecting piece wide	1 x 3" 900 mm
L	4x	Connecting piece narrow	1 x 3" 295 mm
M	4x	Connecting piece narrow	1 x 3" 360 mm
±130x		Self drilling screw	5 x 50 mm
4x		Lock bolt M10x120mm	with bolts and washers